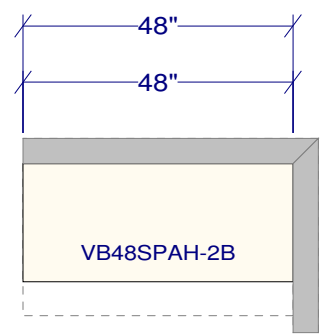
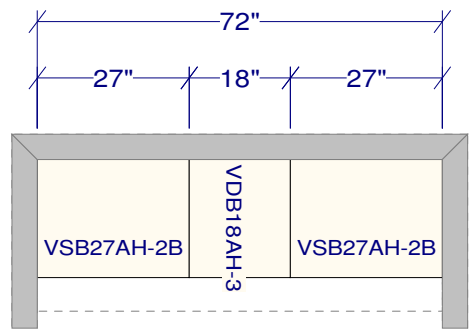
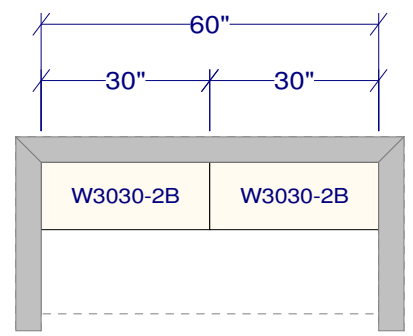


PANTRY TO BE FRAMED ON SITE

PANEL & CORNER MOLDING

(3) STICKS OF CROWN



All dimensions & size designations given are subject to verification on job site and adjustment to fit job conditions.



This is an original design and must not be released or copied unless applicable fee has been paid or job order placed.

Designed: 1/7/2015
Printed: 1/8/2015